

R323 Stainless Steel Indicator – Data Sheet



- Trade Approved Australia/Europe/USA
 - AC, DC options
 - 20mm (0.8in) LCD display with LED backlight
 - Stainless Steel housing
 - Connectors for simplified install
 - IP67 rated housing
 - rinLINK connector
- Rinstrum's compact stainless steel indicator the R323 has a new look and some new functionality. The stainless steel housing has been remodeled into a more compact format that is now rated to IP67 and includes easy to use connectors for power, communications and input/output. As with all R300 Series units, the latest versions include more memory allowing for the range of application firmware to be preloaded.
- **M12 connectors for simplified installation**, for serial and communications, M12 pigtail for the load cell
 - **3 pin AC/DC connector for power** – no need to open the unit
 - **Wide DC operation (7-24V)** to suit a variety of onboard OEM applications. Eliminates the need for third party power supplies saving on system complexity and cost.
 - **Electro polished passivated 304 stainless steel housing**
 - **rinLINK** magnetically coupled link on front fascia for easy access in situ for updates/setup of the indicator, saving the installer time and effort.
 - **IP67 rated housing:** Dust and water tight, increasing reliability and indicator life time.
 - **Trade approved** in Australia, Europe and USA. Products are export ready with approved componentry.

The R323 supports a range of firmware options from basic weight display through to set points and custom printing. All the firmware is onboard, allowing for even easier upgrade in the field.



Smart Weighing

Simple to use connectors

- M12 connectors for communications and I/O
- 3 pin AC or DC power connector
- M12 load cell connector
- No need to open the indicator – maintain the IP68 water proof sealing

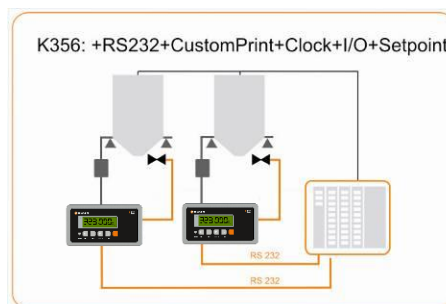
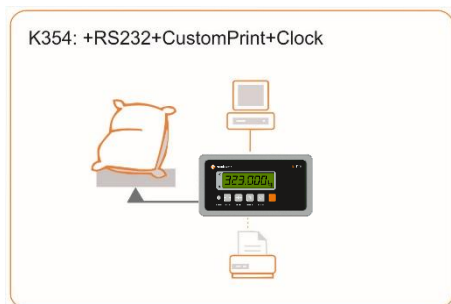
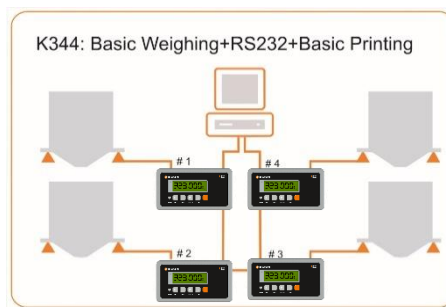
now that's smart weighing...

The R300 series indicators have a range of firmware options from basic weight display through to set points and custom printing.

Name	K342	K344	K346	K354	K356
Printing (Serial RS232)	-	Simple	Simple	Custom	Custom
Function Key - Programmable	HOLD	HOLD	HOLD	1	1
Counting	-	-	-	S	S
Manual Hold	S	S	S	S	S
Peak Hold	-	-	-	S	S
totalization	-	-	-	S	S
Ring Network	-	S	S	S	S
Bluetooth Accessory	-	A	A	A	A
Input	-	1	1	1	1
Clock Calendar	-	-	-	S	S
Set Points Outputs	-	-	2	2	2

S – Standard

A – Accessory

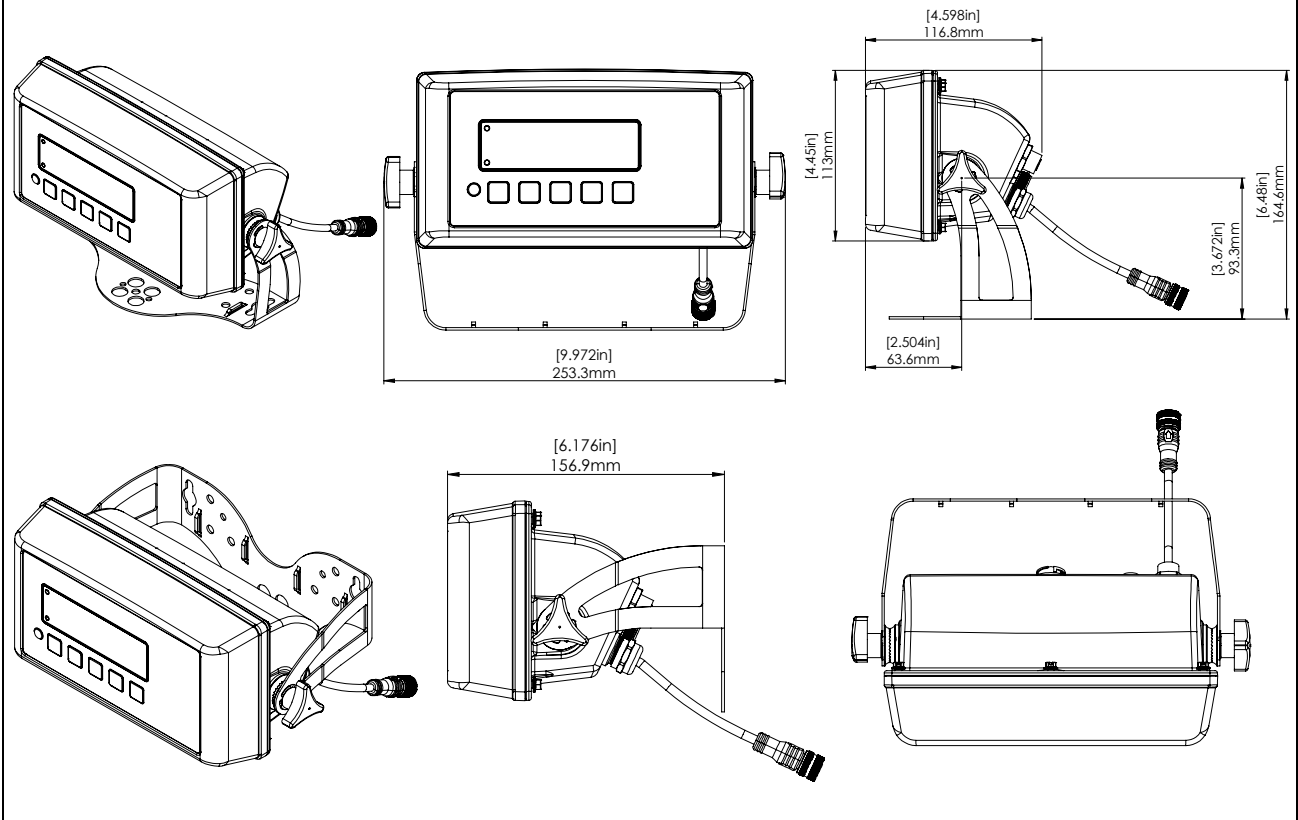


R323 Stainless Steel Indicator Specification Table

		R323 Full Housing IP67 Stainless Steel				
Resolution		Up to 60,000 divisions, minimum of 0.25 μ V/division				
Zero Cancellation		\pm 2.0mV/V				
Span Adjustment		0.1mV/V to 3.0mV/V full scale				
Excitation		5 V for up to 4 x 350 or 8 x 700 ohm load cells (4-wire or 6-wire plus shield) Max total load cell resistance: 3,500 Ω (4x350 Ω Nontrade 8x350 Ω)				
A/D Type		24bit Sigma Delta with 8,388,608 internal counts 20 updates/second				
Operating Environment		Temperature: -10° to +50°C ambient (14° to 122° F) Humidity: <90% non-condensing IP67 rating				
Display		LED Backlit LCD with six 20mm (0.8") high digits with units and annunciators				
Setup and Calibration		Full digital with visual prompting in plain messages				
Digital Filter		Sliding window average from 0.1 to 4.0 s				
Zero Range		Selectable from \pm 2% to \pm 100% Full Scale				
Standard Power Input		7 to 24VDC, 4.8, 9.6,12 and 24V batteries (2.5 VA max) ON/OFF key with memory feature				
Variants	AC	AC Power supply: 110/240VAC 50/60Hz in 12VDC 1.2A out				
Case Materials		Passivated 304 Stainless Steel				
Packing Weights		Stainless Steel Indicator with Stand: 1.74kg (61.4oz)				
Optical Data Communications		Magnetically coupled infra-red communications Conversion cables available for RS232 or USB				
		K342	K344	K346	K354	K356
Serial Outputs		-	RS232 automatic transmit, network or printer outputs. Transmission rate: 2400, 4800, 9600 or 19200 baud			
Functions		Manual Hold			Unit switching, counting, manual hold, peak hold, totalizing, high resolution, auto tare, display test	
Assignable Function Keys		Fixed to Hold			1	
Battery Backed Clock Calendar		-			Battery life 10 years minimum	
Input/Outputs		-		2 Outputs- isolated transistor drive outputs (300mA total at 50VDC)		
		-		1 Input		
Set points		-		2(Basic)		2(Advanced)
Approvals		4,000 d @0.8uV/d NMI (S-420),OIML R76 10,000d III/III L NTEP 08-072 A1				
		FCC, CE, C-tick,				

Specifications may change at any time without notice.

R323 IP67 Stainless Steel Full Housing



Specifications are subject to variation for improvement without notice. Illustrations are indications only and variation may be evident between products.