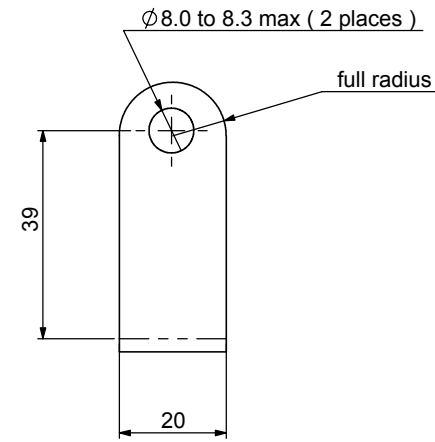
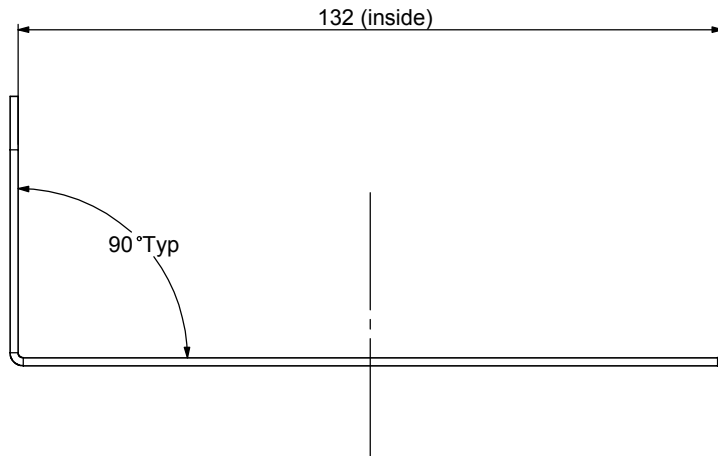
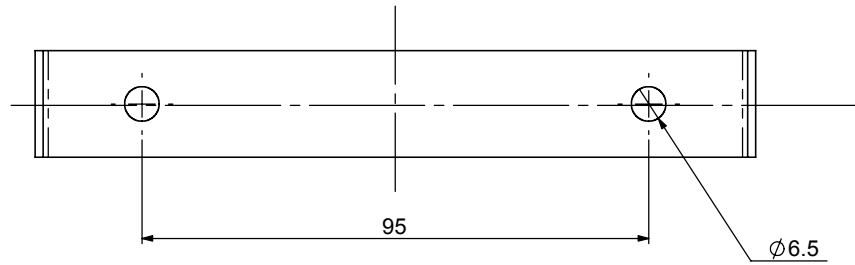


THE INFORMATION CONTAINED IN THIS DRAWING IS THE SOLE PROPERTY OF RANGER INSTRUMENTS P/L. ANY REPRODUCTION IN PART OR WHOLE WITHOUT THE WRITTEN PERMISSION OF RANGER INSTRUMENTS P/L IS PROHIBITED.



**NOTES:**

Material - 1.5mm thick 316 or 304 S/S  
 Finish - Medium brush finish, no burrs, no sharp corners.  
 Bend radius - 1.5mm approx.

GENERAL TOLERANCE unless shown otherwise: ±0.4		MATERIAL:	FINISH:
APPROVAL NUMBER:		<b>RANGER INSTRUMENTS</b>	
DATE	3.6.03	<b>Swivel Bracket</b>	
NAME	Jim J		
SIGNED			
CAD GENERATED DRAWING DO NOT MANUALLY UPDATE		DWG. NO. <b>R300-273</b>	REV No. <b>100</b>
DO NOT SCALE DRAWING		SCALE: (u.s.o.)	SHT No.