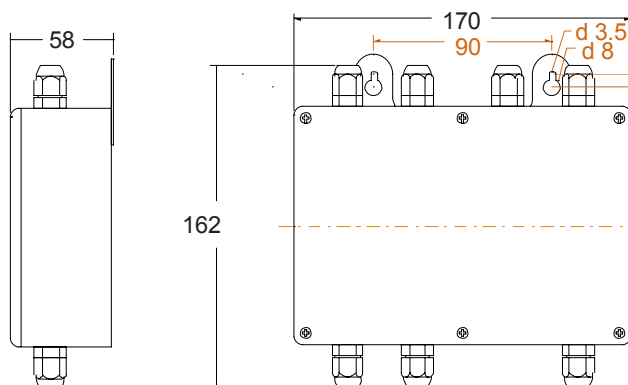


0071 Summing Box - Data Sheet



signal trimming pots for corner balancing

- 6 load cells summing on single unit;
- More load cells can be connected using the built-in linking function;
- High-stability signal trimmed design;
- Up to 2.4% corner-to-corner adjustment range;
- Sealed die-cast metal case;



The 0071 can sum the signals from up to 6 load cells, and will accept load cell impedances' from 150 Ω up to 1,000 Ω with no loss in accuracy.

For installations with more than 6 load cells, the 0071 has a built-in "linking" circuit. This allows simple "daisy-chaining" of multiple 0071 units for any number of additional load cells.

Specifications

Product		
Load Cell Inputs	Single 0071 unit – 6 load cells Multiple 0071 units – 5 load cells per linked 0071 and 6 load cells on the last 0071 in series.	
Input Resistances	Optimum performance – 150Ω to 1,000Ω per load cell Maximum resistance – 2500Ω per load cell	
Maximum Excitation	15 V	
Operating Environment	–10 to +50°C ambient	
Shipping Weight	1.25kg	
IP Rating	IP55	
Type of adjustment	Signal Trimmed – balanced across all signal paths	
Circuit loading	2,500Ω per side	
Adjusting component	25 turn trimming potentiometer (no resistor soldering)	
Trimmer isolation	Removable Jumper Link	
Initial signal loss (See note **)	Load Cell Resistance (Ω)	Initial signal reduction (%)
On insertion of jumper link signal reduces by (with trimmer set for maximum signal output)	1,000 700 350	0.23 0.16 0.18
Maximum trimming effect (See note **) Span signal reduction -	Load Cell Resistance (Ω)	Max. signal reduction (%)
	1,000 700 350	2.4 1.7 0.87

** Performance figures correspond to typical operating conditions. Results in service may vary slightly due to unknown external conditions.

Specifications are subject to variation for improvement, without notice

Illustrations are indications only and variation may be evident between products

Stock Codes:

0071 Summing Box 6 L/C Input

Rinstrum....now that's Smart Weighing

www.rinstrum.com



Australian Sales Office – Rinstrum
41 Success Street, Acacia Ridge
Queensland 4110 Australia
Phone +61 7 3216 7166
Fax +61 7 3216 6211
Email: sales@rinstrum.com

European Sales Office - Rinstrum Europe GmbH
Donnersberggring 14 – 18
64295 Darmstadt
Phone: +49 (0) 6151-13617-0
Fax: +49 (0) 6151-13617-29
Email: info@rinstrum.de