

## C3 Series - C350/C357 Data Sheet



- 50.8mm/ 2in LCD display with RGB backlight
- RGB backlight to make check weighing easy.
- Wide DC operation (5-24V) ideal for onboard vehicle applications.
- C350 Resin alloy full housing IP66, IP68 and NEMA 4
- C357 Stainless steel full housing IP66, IP68, IP69K and NEMA 4X
- NTEP/ NMI approved

The C350 resin alloy full housing indicator and C357 stainless steel full housing indicators are the latest versions of Rinstrum's C300 series. These features a 50.8mm/ 2" LCD display with RGB backlight together with flush polyester overlay with mechanical keys. These are fully sealed and have durable chemical resistance. Custom printing, accumulation and latching set points are some of the available features amongst the various firmware applications.

C350 and C357 are built with two RS232 bidirectional serial ports independently configurable for network, printing, or remote display functions and two accessory card slots for increased functionality. The communication cards offer increased options and expansion cards cover additional functions.

- **50.8mm (2in) LCD display with RGB backlight:** to improve visibility and readability of the weight display and RGB backlight for easy check weighing applications.
- **Wide DC operation (5-24V):** to suit a variety of onboard vehicle and industrial applications.
- **Two RS232 bidirectional serial ports:** independently configurable for network, printing or remote display functions.
- **Inputs and Outputs:** Four digital inputs and four high-side digital outputs that are electrically isolated. Outputs are capable of driving low voltage DC actuators directly
- **Onboard data storage:** compliant to WELMEC 7.2 (alibi memory DSD)
- **rinLINK:** magnetically coupled link on front fascia for easy access in situ for updates/setup of the indicator, saving the installer time and effort.
- **Flush polyester overlay with mechanical keys:** no membrane key to wear out, easy to keep clean, fully sealed, durable chemical resistance, improves uv resistance.
- **Printing:** Multiple standard print dockets through to fully programmable print formats that can be easily created with the drag and drop configuration tool rinPRINT.

### Advanced Setpoints

The C3 instrument supports up to 8 setpoints with 4 Inputs & 4 Outputs directly linked to the setpoints mapping. Setpoint status can be used to drive the onboard outputs directly, sound the buzzer, change display backlight colour or can be transferred to external control systems using modbus RTU or through field bus expansion. Setpoint functions include:

- Weigh-in/Weigh-out filling
- CHECKWEIGH: OVER, UNDER, PASS
- Status (motion, zero, net)

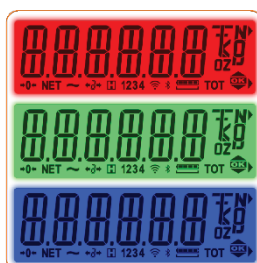
Setpoint outputs can be latched and reset from remote inputs or external control.

### Smart Weighing

Large LCD display (50.8mm/ 2") with RGB backlight of the C350/C357 indicator improve visibility and readability of the weight display.

The C350/C357's bright, vivid backlight changes color automatically as the pre-assigned target weights are reached.

The operator knows immediately when they've reached the acceptable weight range based on the orange, green, or red color changes for UNDER, ACCEPT, or OVER weights.



RGB LCD Display (Selectable up to 9 colours)

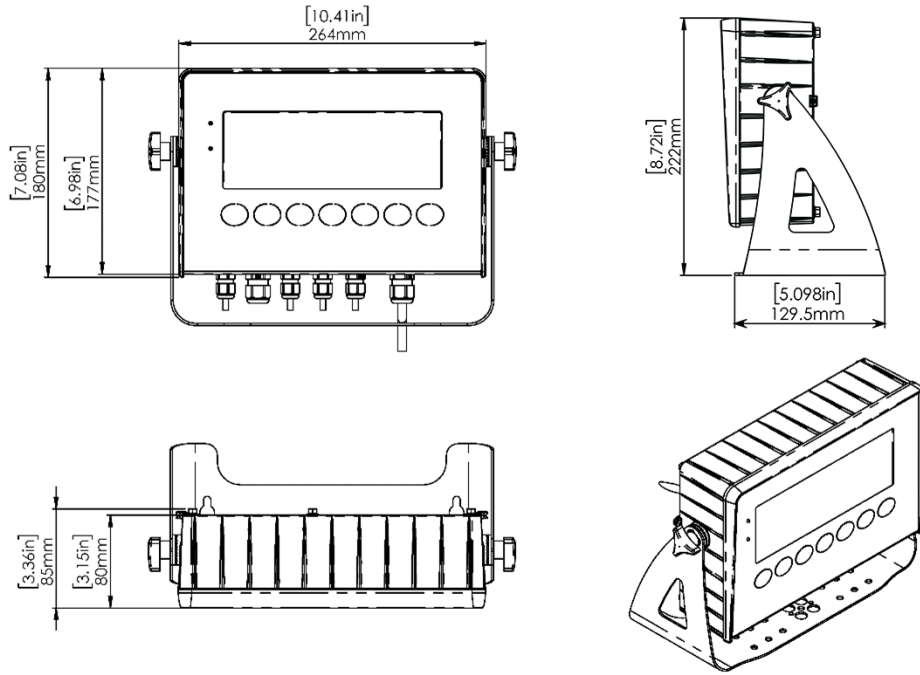
*... now that's smart weighing!*

## Specifications

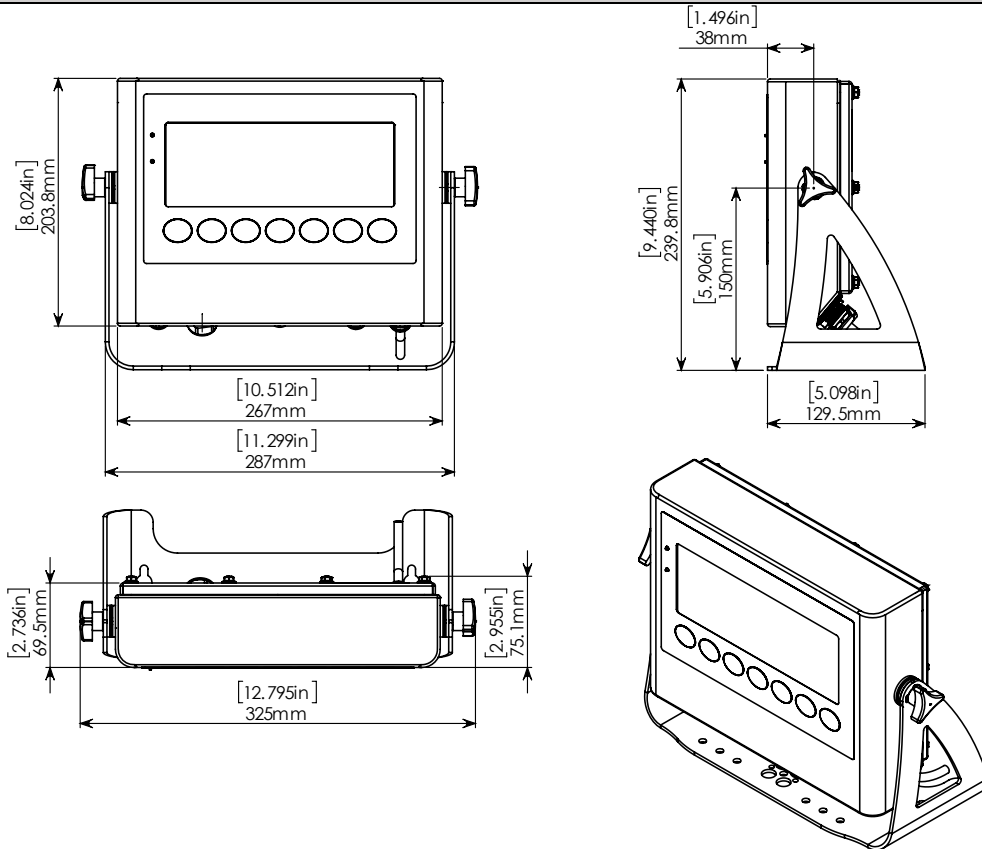
| Indicator                     | C320  | C350   | C357   |
|-------------------------------|---|--|--|
| Trade Approval                | NTEP 23-090 / NMI S869 / OIML R76-2006-A-NL1-24.26  | NTEP 23-090 / NMI S869   |  |
| Resolution                    | Up to 100,000 divisions, minimum of 0.1uV/division<br>Trade: Up to 10,000 divisions, minimum of 0.33uV/division - pending |  |  |
| Zero Cancellation             | ± 2.0mV/V   |  |  |
| Span Adjustment               | 0.1mV/V to 5.0mV/V full scale   |  |  |
| Excitation                    | 5V for up to 8 x 350-ohm load cells (4-wire or 6-wire plus shield)<br>Max total load cell resistance: 3,500Ω              |  |  |
| A/D Type                      | 24bit Sigma Delta with 8,388,608 internal counts, 50 updates/second   |  |  |
| Operating Environment         | Temperature: -10° to +50°C ambient (14° to 122° F), Humidity: <90% non-condensing   |  |  |
|                               | IP65 when panel mounted   | IP66, IP68, NEMA 4   | IP66, IP68, IP69K, NEMA 4X                         |
| Display                       | RGB Backlit LCD with six 20mm (0.8") high digits with units and annunciators, 9 segment                                   | RGB Backlit LCD with six 50.8mm (2") high digits with units and annunciators, 9 segment  |  |
| Setup and Calibration         | Fully digital with visual prompting in plain messages   |  |  |
| Digital Filter                | IIR low pass filter   |  |  |
| Zero Range                    | Selectable from ± 2% to ± 100% Full Scale   |  |  |
| Standard Power Input          | 5 to 24VDC, 4.8, 9.6, 12 and 24V batteries (2.5 VA max)<br>ON/OFF key with memory feature                                 |  |  |
| Variants                      | AC  | AC Plug pack: 110/240VAC 50/60Hz in 12VDC 1.5A out   | AC Line Cord: 110/240VAC 50/60Hz in 12VDC 1.5A out |
|                               | DC  | DC: 5 to 24VDC (2.5 VA max)  |  |
|                               | Battery   | 4 x AA batteries (G Version or using M6001 accessory)  |  |
| Case Materials                | Resin Alloy   | Resin Alloy  | Stainless Steel                                    |
| Packing Weights               | Panel Mount Indicator: 0.25kg (9oz), Full Housing: 0.42kg (14.8oz)  | 3.8kg/ 8.4lbs  | 5.5kg/ 12.1lbs                                     |
| Optical Data Communications   | rinLINK - magnetically coupled infra-red communications<br>Conversion cables available for USB                            |  |  |
| Firmware Features             | K301  | K304   | K306   |
| Input/Outputs                 | -   | 2 isolated inputs  |  |
|                               | -   | 2 isolated, smart FET outputs (400mA total at 50VDC)   |  |
| Serial Outputs                | -   | 2 x RS232 automatic transmit, network or printer outputs.<br>Transmission rate: 2400-115200 baud   |  |
| Battery Backed Clock Calendar | -   | Battery life 10 years minimum  |  |
| Set points                    | -   | 8 (Basic)  | 8 (Advanced)                                       |
| Data Storage                  | -   | Alibi WELMEC 7.2 DSD   |  |
|                               | -   | -  | CSV Log  |
| Keys US Region                | Power/ Zero/ Tare/ Select/ Units Switching (lb/ kg/ oz/ g/ t/ TN/ lb:oz/custom)<br>plus two assignable function keys      |  |  |
| Keys ROW Region               | Power/Zero/Tare/Select plus three assignable function keys  |  |  |
| Other                         | Manual hold, livestock filtering, x10 mode HiRes, linearisation   |  |  |
|                               | -   | Custom printing, peak hold, counting, accumulation, medical filtering, check weighing, mimic/ remote display, mV/V calibration, ring network (rinCMD), auto tare |  |
| <b>Accessory Cards</b>        |   |  |  |
| Communications cards          | RS485, RS232, Current loop  |  |  |
| Expansion cards               | Ethernet IP, Profinet, Modbus TCP, EtherCat<br>Wi-Fi/Bluetooth  |  |  |
|                               | -   | 0..10V, isolated 16 bit output<br>Analogue output 4-20mA   |  |

Specifications may change at any time without notice.

**C350 resin alloy full housing indicator**



**C357 stainless steel full housing indicators**



Specifications are subject to variation for improvement without notice. Illustrations are indications only and variation may be evident between products.