

C3 Series - C350/C357 Data Sheet



- 50.8mm/ 2in LCD display with RGB backlight
- RGB backlight to make check weighing easy.
- Wide DC operation (5-24V) ideal for onboard vehicle applications.
- C350 Resin alloy full housing IP66 (NEMA 4X)
- C357 Stainless steel full housing IP66 (NEMA 4X)

The C350 resin alloy full housing indicator and C357 stainless steel full housing indicators are the latest versions of Rinstrum's C300 series. These features a 50.8mm/ 2in LCD display with RGB backlight together with flush polyester overlay with mechanical keys. These are fully sealed and have durable chemical resistance. Custom printing, accumulation and advanced set pointing including latching outputs are some Firmware applications.

C350 and C357 are built with two RS232 bidirectional serial ports independently configurable for network, printing, or remote display functions and two accessory card slots for increased functionality. The communication cards offer increased options and expansion cards cover additional functions.

- **50.8mm (2in) LCD display with RGB backlight:** to improve visibility and readability of the weight display and RGB backlight for easy check weighing applications.
- **Wide DC operation (5-24V):** to suit a variety of onboard vehicle and industrial applications.
- **Two RS232 bidirectional serial ports:** independently configurable for network, printing or remote display functions.
- **Inputs and Outputs:** Two digital inputs and two high-side digital outputs that are electrically isolated. Outputs are capable of driving low voltage DC actuators directly
- **Onboard data storage:** compliant to WELMEC 7.2 (alibi memory DSD)
- **rinLINK:** magnetically coupled link on front fascia for easy access in situ for updates/setup of the indicator, saving the installer time and effort.
- **Flush polyester overlay with mechanical keys:** no membrane key to wear out, easy to keep clean, fully sealed, durable chemical resistance, improves uv resistance.
- **Printing:** Multiple standard print dockets through to fully programmable print formats that can be easily created with the drag and drop configuration tool rinPRINT.

Advanced Setpoints

The C3 instruments support up to 8 setpoints with setpoints 1 and 2 linked to the onboard digital outputs. Setpoint status can be used to drive the onboard outputs directly, sound the buzzer, change display backlight colour or can be transferred to external control systems using modbus RTU or through field bus expansion. Setpoint functions include:

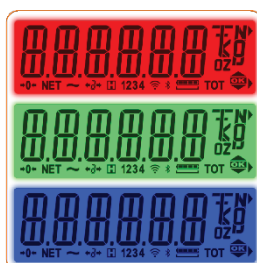
- OVER/UNDER target
- CHECKWEIGH: OVER, UNDER, PASS
- Status (motion, zero, net)

Setpoint outputs can be latched and reset from remote inputs or external control.

Smart Weighing

Large LCD display (50.8mm/ 2in) with RGB backlight of the C350/C357 indicator improve visibility and readability of the weight display. The C350/C357's bright, vivid backlight changes color automatically as the pre-assigned target weights are reached.

The operator knows immediately when they've reached the acceptable weight range based on the blue, green, or red color changes for UNDER, ACCEPT, or OVER weights.



RGB LCD Display (Selectable up to 9 colours)

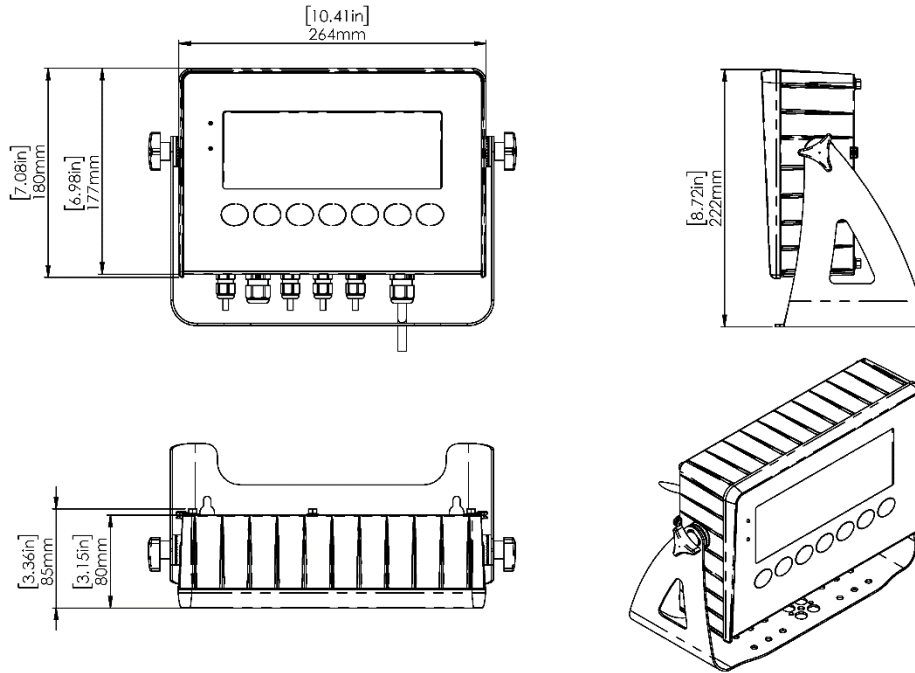
... now that's smart weighing!

C350/ C357 Specification Table

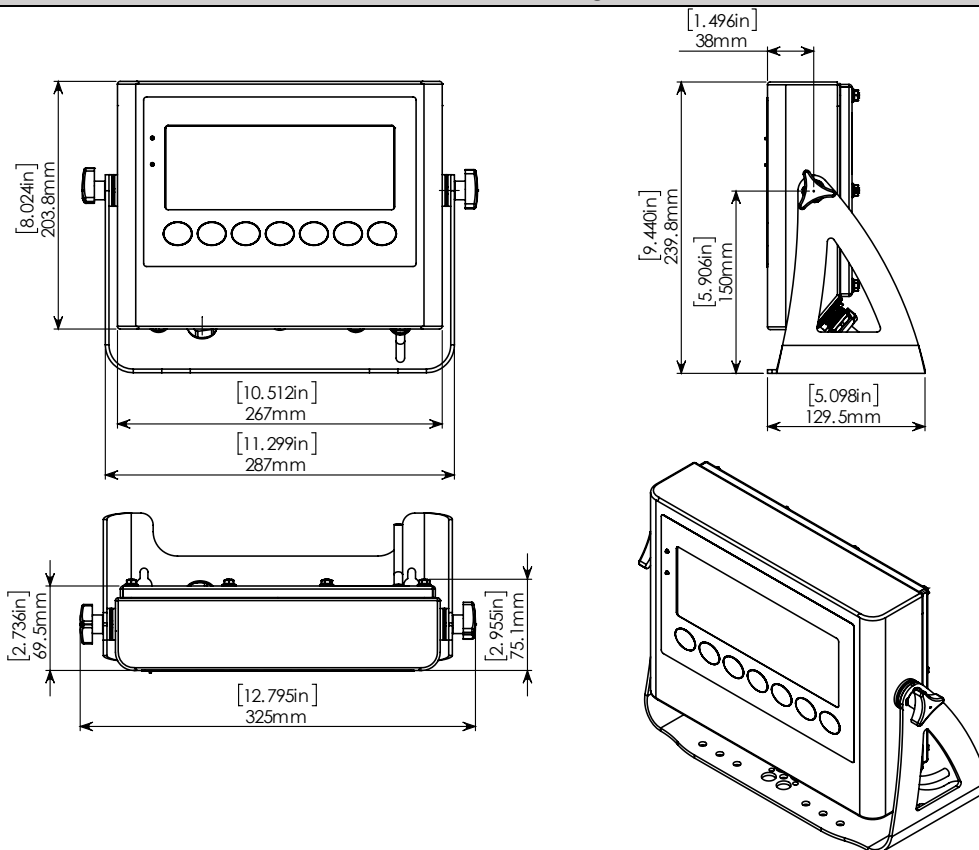
Specification		C350	C357
Resolution		Up to 100,000 divisions, minimum of 0.1uV/division Trade: Up to 10,000 divisions, minimum of 0.33uV/division - pending	
Zero Cancellation		± 2.0mV/V	
Span Adjustment		0.1mV/V to 5.0mV/V full scale	
Excitation		5V for up to 8 x 350-ohm load cells (4-wire or 6-wire plus shield) Max total load cell resistance: 3,500Ω	
A/D Type		24bit Sigma Delta with 8,388,608 internal counts 50 updates/second	
Operating Environment		Temperature: -10° to +50°C ambient (14° to 122° F), Humidity: <90% non-condensing, IP66	
Display		RGB Backlit LCD with six 50.8mm (2") high digits with units and annunciators, 9 segment	
Setup and Calibration		Fully digital with visual prompting in plain messages	
Digital Filter		IIR low pass filter	
Zero Range		Selectable from ± 2% to ± 100% Full Scale	
Standard Power Input		5 to 24VDC, 4.8, 9.6,12 and 24V batteries (2.5 VA max) ON/OFF key with memory feature	
Variants	AC	AC Plug pack: 110/240VAC 50/60Hz in 12VDC 1.5A out	
	DC	DC Plug pack: 5 to 24VDC (2.5 VA max)	
Case Materials		Resin alloy	Stainless steel
Keys US Region		Power/ Zero/ Tare/ Select/ Units Switching (lb/ kg/ oz/ g/ t/ TN/ lb:oz/custom) plus two assignable function keys	
Keys ROW Region		Power/Zero/Tare/Select plus three assignable function keys	
Battery Backed Clock Calendar		Battery life 10 years minimum	
Packing Weights		3.8kg/ 8.4lbs	5.5kg/ 12.1lbs
Optical Data Communications		rinLINK - magnetically coupled infra-red communications Conversion cables available for USB	
Serial Outputs		2 x RS232 automatic transmit, network or printer outputs. Transmission rate: 2400-115200 baud	
Input/Outputs		2 isolated, smart FET outputs (400mA total at 50VDC)	
		2 isolated inputs	
Set points		8 setpoints with setpoints 1 and 2 linked to the onboard digital outputs	
Data Storage		Alibi WELMEC 7.2 DSD – EU Region CSV Log – Rest of World	
Firmware Features			
Firmware features		Custom printing, accumulation, counting, check weighing, manual hold, peak hold, medical and livestock filtering, mimic/remote display, advanced set pointing including latching outputs, x10 mode HiRes, mV/V calibration, ring network (rinCMD), linearisation, auto tare	
Accessory Cards			
Communications cards		RS485, RS232, Current loop	
Expansion cards		Analogue output 4-20mA, 0..10V, isolated 16 bit output Ethernet IP, Profinet, Modbus TCP, EtherCat Wi-Fi/Bluetooth	

Specifications may change at any time without notice.

C350 resin alloy full housing indicator



C357 stainless steel full housing indicators



Specifications are subject to variation for improvement without notice. Illustrations are indications only and variation may be evident between products.