

M6203 - RS-485/422 Comms Module



Module Description

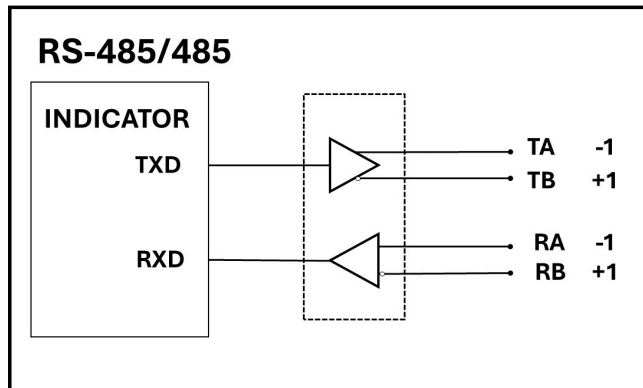
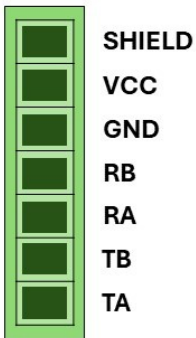
General	-1 x RS485 full duplex (4 wire) -1 x TX-only RS-485 or RX-only RS-485
Termination resistors	Jumpers J2 and J4
Power Supply	Internal
Power output	Controlled 5V output (0.6A max 0.3A rated)
Number of devices on network bus	32 maximum
Baud rate ¹	1200, 2400, 4800, 9600, 19200, 38400, 57600, 115200
Parity bit ¹	None, Even, Odd
Data bits ¹	7, 8
Stop Bits ¹	1, 2
Termination ¹	OFF, ON (Internal)

Note 1: Instrument may not support all options.

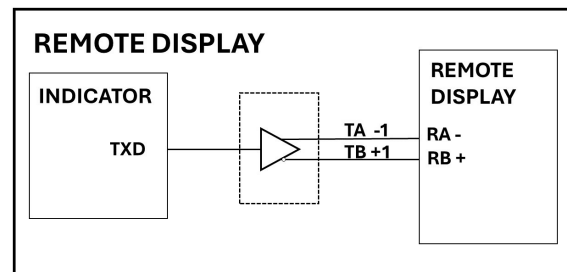
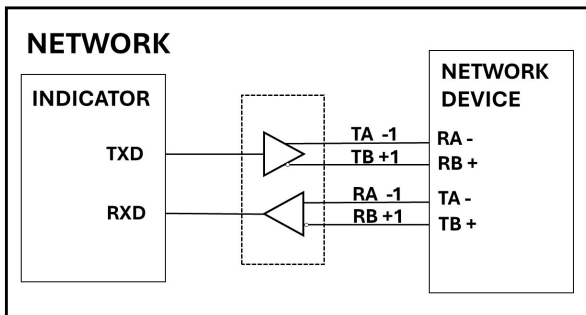
Jumper Handling

Jumper	Description	Usage Context
J5	Enables transmit only when sending	Multidrop network, 2-wire RS485 mode
J7	Disables receiving while transmitting	2-wire RS485 mode
J2, J4	For termination	Generally used in network setups

Module Connections Interface Diagram



Example Use



M6203 Setup

The indicator should be switched OFF before installing or removing this device.

Modules are configured using the indicator setup. Setup can be done via the indicator keypad or the viewer program. An overview of setup is given below; see the indicator Quick Start or Reference manuals for detailed setup information.

The indicator provides configuration checking capabilities for the M6203. This is found in the SERIAL setup menu. See the indicator Quick Start or Reference manuals.

K306 Software Setup

This module is configured as serial port 2 on the indicator.

Network

(i) Serial. . . . SER.NET. . . . (Refer to quick start manual for settings)

Automatic Output

(i) Serial. . . . SER.AUT. . . . (Refer to quick start manual for settings)

Print

(i) Serial. . . . PRINT. (Refer to quick start manual for settings)