

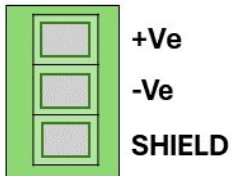
M6902 - 0-10V or 4-20mA Input Converter Module



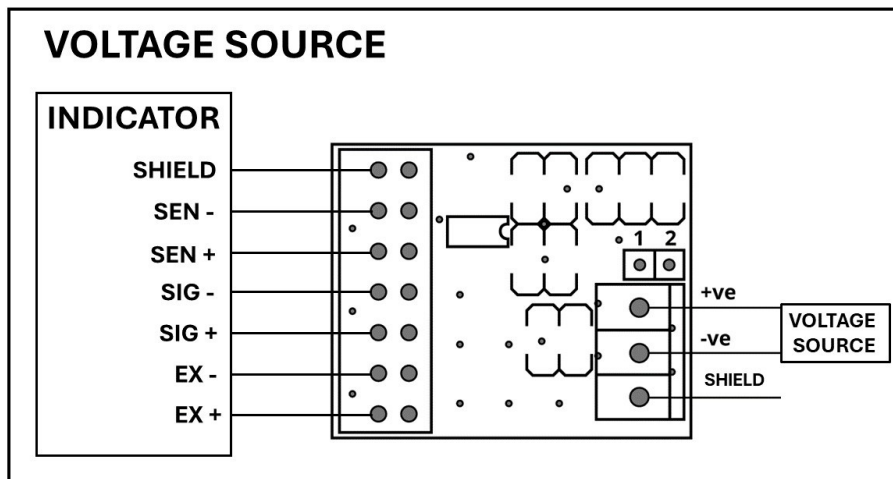
Module Description

General	Converts 0-10V voltage or 4-20mA current into a differential signal
Power Supply	Internal
Voltage input range	-11V to 11V
Current input range	-22mA to 22mA
Input resistance (voltage input)	100kΩ
Input resistance (current input)	433Ω
Operating Temperature	-10°C to 40°C
Error	< 0.1%

Module Connections



Interface Diagram



To convert as current input, Pin 1 and Pin 2 should be connected.

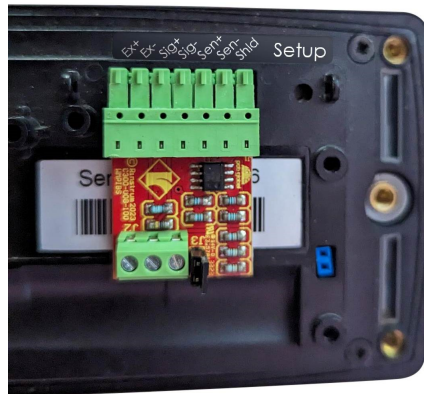
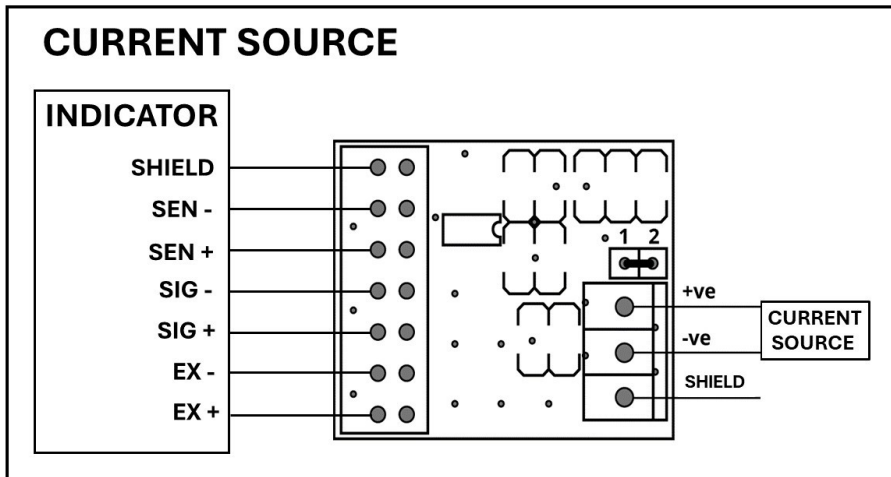


Figure 1: Pin configuration of the input converter

M6902 Setup

The indicator should be switched OFF before installing or removing this device.

Modules are configured using the indicator setup. Setup can be done via the indicator keypad or the viewer program. An overview of setup is given below; see the indicator Quick Start or Reference manuals for detailed setup information.

The indicator provides configuration checking capabilities for the M6203. This is found in the SCALE setup menu. See the indicator Quick Start or Reference manuals.

K306 Software Setup

This module is configured as Load cell input on the indicator.

Calibration

SCALE. . . CAL. . . (Refer to quick start manual for settings)