

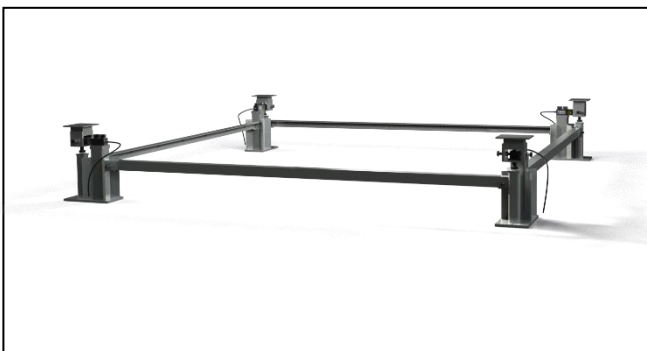
X-Mount System for Tank and Hopper Applications – Data Sheet



- NTEP Certified
- High Accuracy Legal-for-Trade Weighing System
- Capacities ranging from 1,000 lb. to 62,500 lb.
- Technician-friendly with easy installation features
- Designed for demanding wash-down or corrosive environments

The X-Mount system is a legal-for-trade tank weighing system for commercial legal-for-trade applications. Designed as retrofit weighing systems, the X-Mount is ideal for fertilizer blenders or in industrial, pharmaceutical, or chemical applications. Each X-Mount system is customized to suit your exact size requirements to fit under existing or newly installed tank, hopper, or weighing vessels.

- Load Introduction via a rocker pin assembly, which acts directly on the neutral zone of the load cell.
- Side, end, and torsion load effects are eliminated.
- 100% uplift protection.
- Adjustable side-to-side checking.
- Exclusive threaded height adjustment for perfectly balanced loads.
- Constructed of 304 stainless steel.
- Customized height of X-mount to eliminate need for riser blocks.
- Customized length and width to fit specific tank and hopper leg requirements.



Smart Weighing

Highly Customizable Tank Weighing

- Stainless Steel
- System can be configured for 3, 4, or 6 legs
- Wide range of capacities (1,000 lb. to 62,500 lb.)

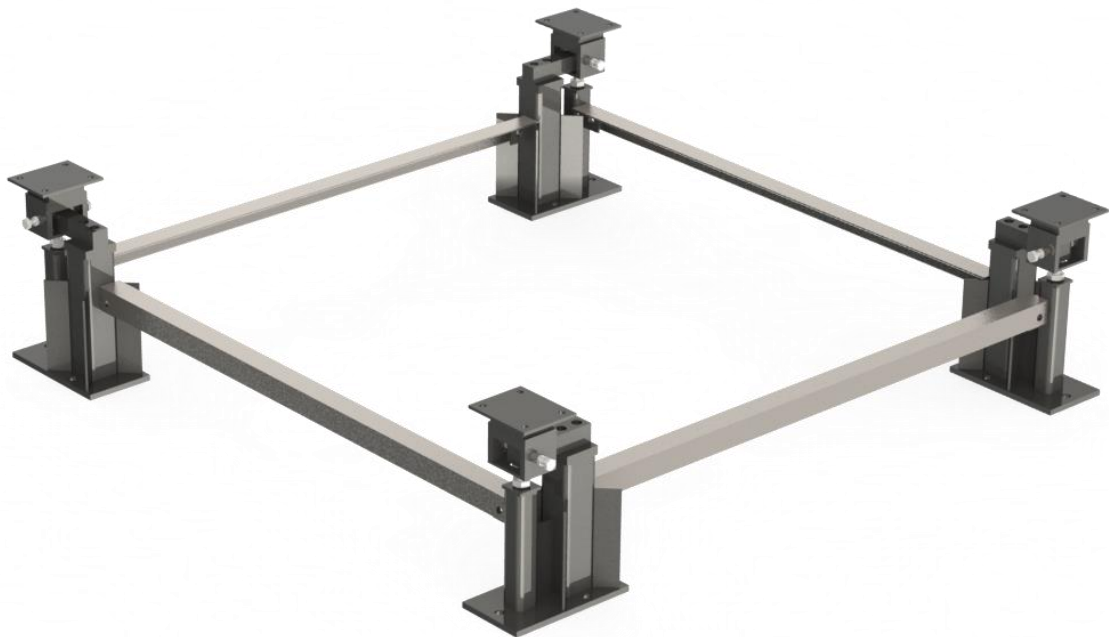
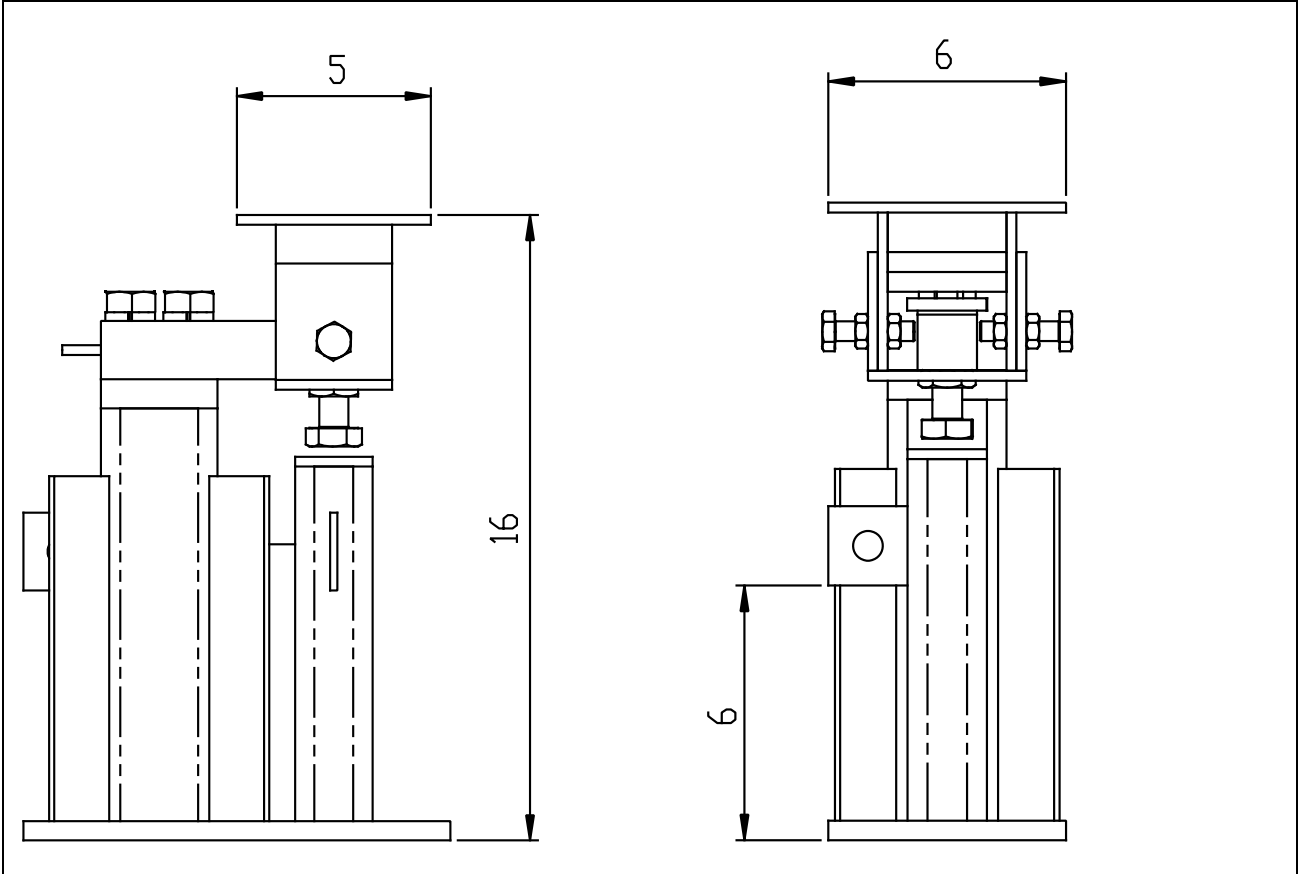
now that's smart weighing..

The X-Mount System can be configured with several models to suit the capacity required for the application.

Model	System Capacity (lb.)	Load Cell Capacity (lb.)	Number of Cells	Stainless Steel
HT-0201-NM	2000	1000	4	S
HT-0402-NM	4000	2000	4	S
HT-0525-NM	5000	2500	4	S
HT-0804-NM	8000	4000	4	S
HT-1005-NM	10000	5000	4	S
HT-2010-NM	20000	10000	4	S
HT-3015-NM	30000	15000	4	S
HT-4020-NM	40000	20000	4	S
HT-5020-NM	50000	20000	4	S
HT-6040-NM	60000	20000	4	S

* 3 or 6 leg configurations can be done on request

* Dimensions are only for an example setup. Final specs are subjected to individual applications.



Specifications are subject to variation for improvement without notice. Illustrations are indications only and variation may be evident between products.