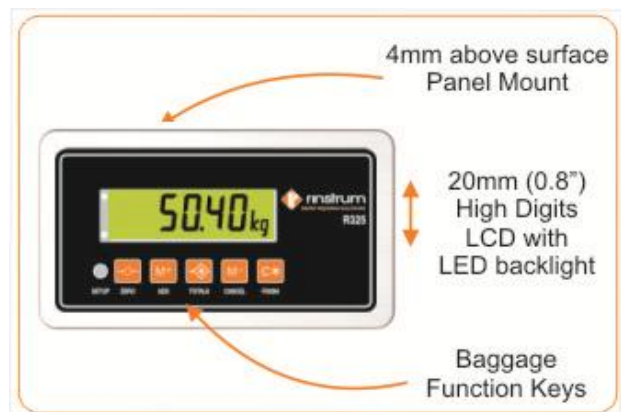
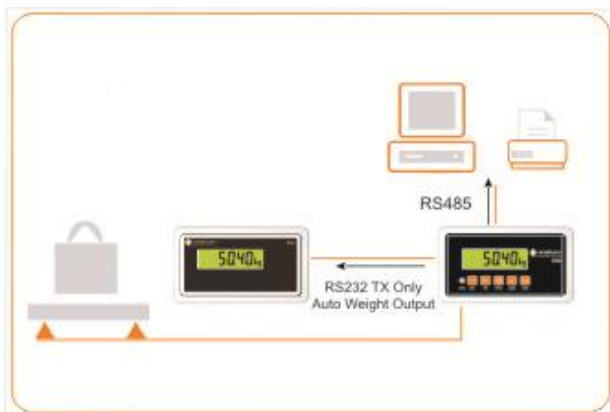


R325 – Luggage Weighing Application



- Trade Approved Australia/Europe
- 7 to 24VDC power supply
- 20mm (0.8in) LCD display with LED backlight
- Stainless Steel
- Opto-link connector

The R300 series of indicators builds on over 15 years of design experience to create an ideal solution for baggage handling applications, the R325 features:

- Slim line panel mounting on the counter
- Dedicated luggage functions including number of bags and total weight summing.
- Combined with D323 remote display for complete luggage handling systems

The dedicated luggage-weighing functionality allows for easy monitoring of both the total weight summing and the number of bags to ensure preset bag numbers and weight limits are not exceeded.

This luggage information can be transmitted to a remote display (D323) for passenger viewing. Printing or computer network communications are provided via the RS485 port.

Dedicated key pad functions increase input capabilities and decreases the chance of operator error. Pre-determined bag and total weight limits prevent excess luggage weights being accepted by the operator.

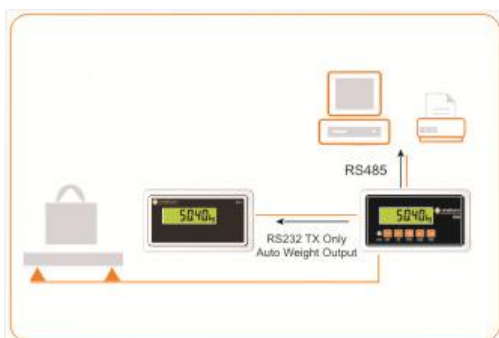
Features include:

- Function Keys: Add/Totals/Cancel/Finish
- Totalising
- Configurable Printing
- Built in serial communications (RS232/RS485) to a remote display and PC or printer.
- Set point function

Opto-link magnetically coupled link on front fascia for easy access in situ for updates/setup of the indicator, saving the installer time and effort.

IP65 rated housings: Dust and water tight, increasing reliability and indicator life time.

Smart Weighing



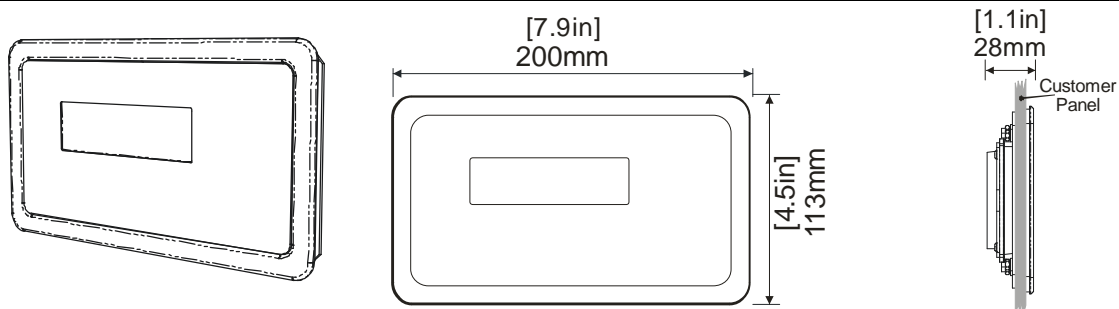
- Slim line panel mounting indicator and remote display
- Dedicated luggage functions including number of bags and total weight summing.
- Built in communications.
- Simple operator interface with dedicated key functions
- Engineered and built to last

..now that's smart weighing

Specification Table

		R325 Indicator
Resolution		Up to 30,000 divisions, minimum of 0.25 μ V/division.(K303: up to 60,000 divisions)
Zero Cancellation		± 2.0 mV/V
Span Adjustment		0.1mV/V to 3.0mV/V full scale
Excitation		5 V for up to 4 x 350 or 8 x 700 ohm load cells (4-wire or 6-wire plus shield) Max total load cell resistance: 3,500 Ω (4x350 Ω Nontrade 8x350 Ω)
A/D Type		24bit Sigma Delta with 8,388,608 internal counts 20 updates/second
Operating Environment		Temperature: -10° to $+50^{\circ}$ C ambient (14° to 122° F) Humidity: <90% non-condensing IP65 when panel mounted
Display		LED Backlit LCD with six 20mm (0.8") high digits with units and annunciators
Setup and Calibration		Full digital with visual prompting in plain messages
Digital Filter		Sliding window average from 0.1 to 4.0 s
Zero Range		Selectable from $\pm 2\%$ to $\pm 100\%$ Full Scale
Standard Power Input		7 to 24VDC, 4.8, 9.6,12 and 24V batteries (2.5 VA max) ON/OFF key with memory feature
Variants	AC	AC Plug pack: 110/240VAC 50/60Hz in 12VDC 1.5A out
Case Materials		Stainless Steel Panel Mount
Packing Weights		Basic Indicator: 0.49kg (17oz)
Optical Data Communications		Magnetically coupled infra-red communications Conversion cables available for RS232 or USB
Approvals		4,000 d @0.8uV/d NMI (S-420),OIML R76 FCC, CE, C-tick,
Set points		1
Function Keys		Zero, Add, Totals, Finish, Test
Communications		RS-232 automatic transmit for remote display RS-485 network or printer connection. Transmission rate: 2400, 4800, 9600 or 19200 baud
		D323 Remote Display
Operating Environment		Temperature: -10° to $+50^{\circ}$ C ambient (14° to 122° F) Humidity: <90% non-condensing IP65 when panel mounted
Display		LED Backlit LCD with six 20mm (0.8") high digits with units and annunciators
Standard Power Input		7 to 24VDC, 4.8, 9.6,12 and 24V batteries (2.5 VA max)
Variants	AC	AC Plug pack: 110/240VAC 50/60Hz in 12VDC 1.5A out
Setup		Auto-Detecting Setup
Characters		Numeric and semi-alpha characters
Annunciators		3 Annunciators
Serial Input		RS232
Case Materials		Stainless Steel Panel Mount
Optional Mounting		Stainless steel desk/wall mount

Stainless Steel Panel Mount



Specifications are subject to variation for improvement without notice. Illustrations are indications only and variation may be evident between products