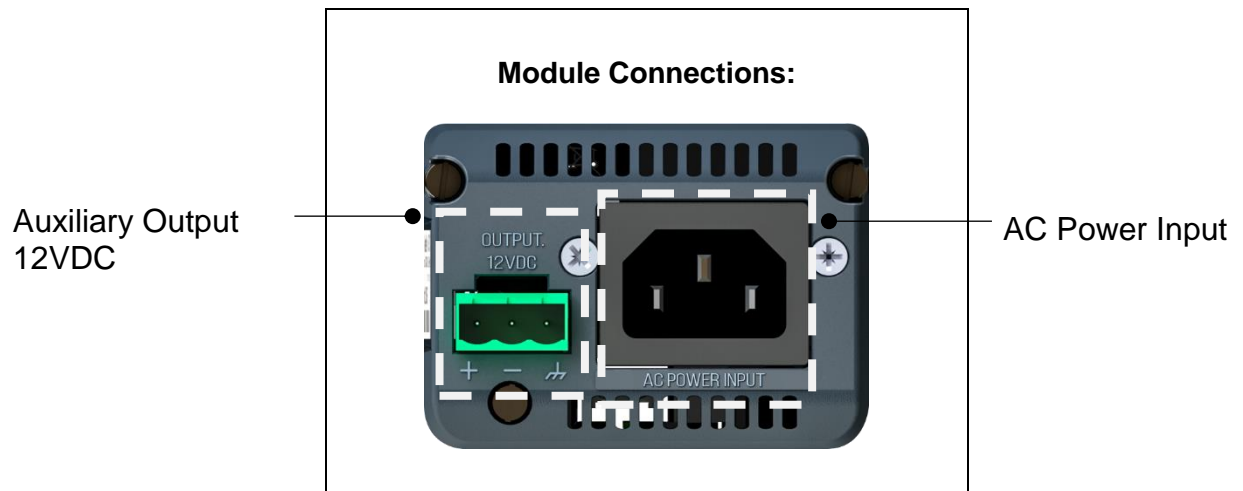




## M5104 AC Power Supply

### Module Description:

General	AC power supply
Isolation	None
Input	90-260VAC 50/60Hz 0.5A
Total Output	12VDC 1.5A
Auxiliary Output	12VDC 1.0A Fused



**Caution: Isolate supply before removing covers.**

### **Warning**

This is a class A product. In a domestic environment this product may cause radio interference in which case the user may be required to take adequate measures.