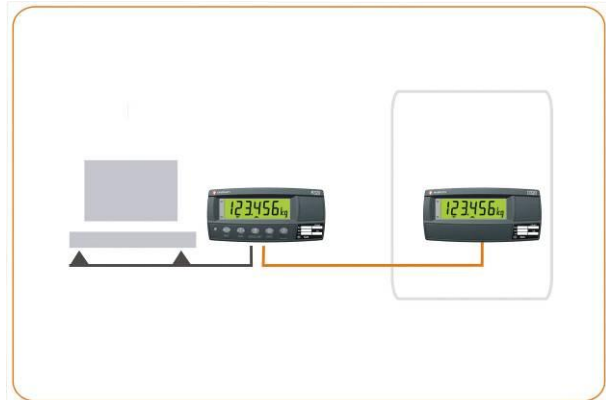


D320 and D323 – Data Sheet



- Bright LED Backlighting
- 20mm (0.8in) LCD display
- Auto-detecting setup
- Cross manufacturer compatibility
- C-Tick, CE and FCC approved
- Stainless steel or ABS IP65 housing
- 3 Annunicators

The D320 and D323 are compact six digit remote displays based on the R300 series indicators. They make a cost effective display solution for a variety of applications; including freight / airport scales, and mobile feedlot mixers.

The setup is auto-detecting to selected indicators and the unit has an RS232 serial input. Available in ABS and stainless steel housings:

- D320 IP65 ABS housing
- D323 IP65 stainless steel housing.

The flexible mounting options (panel, desk, and wall) allow for fitting into these installations and the LCD display is LED backlit catering for a range of lighting conditions.

Compact housings: Allows for the unit to be readily mounted on small control panels or equipment, reducing costly modifications to the units they are being installed into.

Magnetically coupled link on front fascia - Easy access in situ for updates/setup of the unit, saving the installer time and effort.

IP65 rated housings - Dust and water tight, increasing reliability and unit life time.

Wide DC operation (7 -24V) to suit a variety of onboard OEM applications - Eliminates the need for third party power supplies saving on system complexity and cost.

Smart Weighing



Flexible mounting and power options

- Desk stand with 4xAA battery compartment
- IP65 rear boot
- Rechargeable battery option
- Wall mounting bracket to work with desk stand or rear boot.

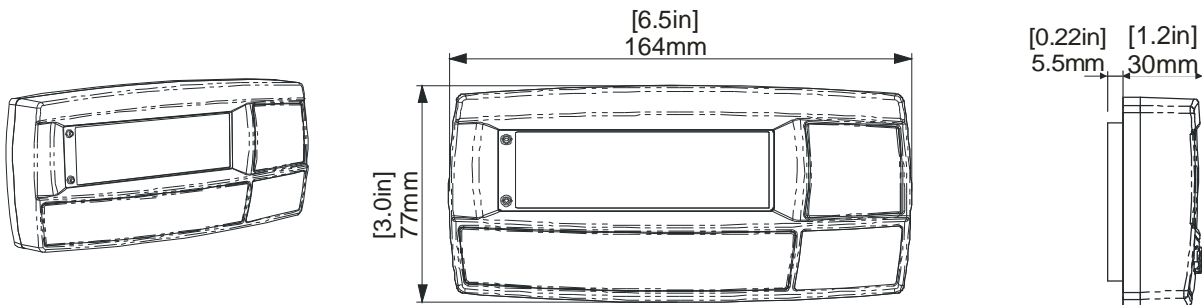
..now that's smart weighing.

D320 and D323 Specification Table

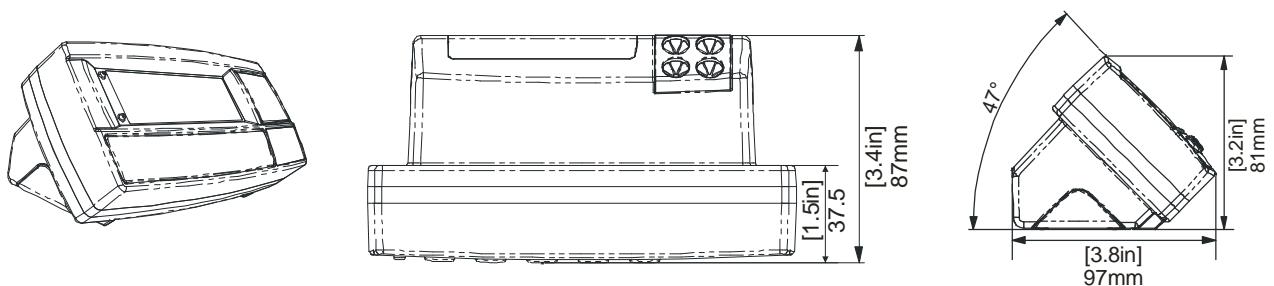
		D320	D323
Approvals		C-Tick, CE & FCC	
Operating Environment		Temperature: -10 to +50°C ambient (14 °F to 122 °F)	
		Humidity: <90% non-condensing	
		IP65 when panel mounted	
Display		LED Backlit LCD with six 20mm (0.8") high digits with units and annunciators	
Standard Input		12 to 24VDC (2.5VA max)	
Variants	AC	AC Plug Pack: minimum output 12VDC 0.5A	
Compatibility		Compatibility with most indicators	
Setup		Auto-Detecting Setup	
Characters		Numeric and semi-alpha characters	
Annunciators		3 Annunciators	
Serial Input		RS232	
Selectable Address		Select between address 01 and 02	
Case Materials		ABS Housing ABS, Silicon Rubber, Nylon, Acrylic (no halogen used)	Stainless Steel Flush Mount
Optional Mounting		ABS desk mount	Stainless steel desk/wall mount
		Stainless steel pole mount	

Specifications are subject to variation for improvement without notice. Illustrations are indications only and variation may be evident between products

ABS Panel Mount



ABS with Rear Boot Desk Stand



Stainless Steel Panel Mount

