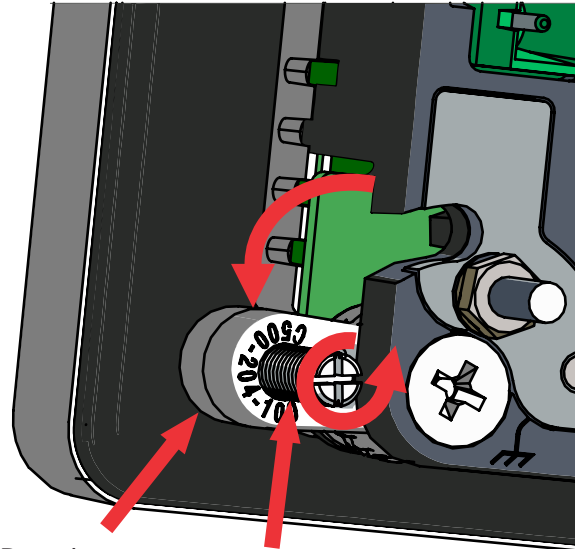


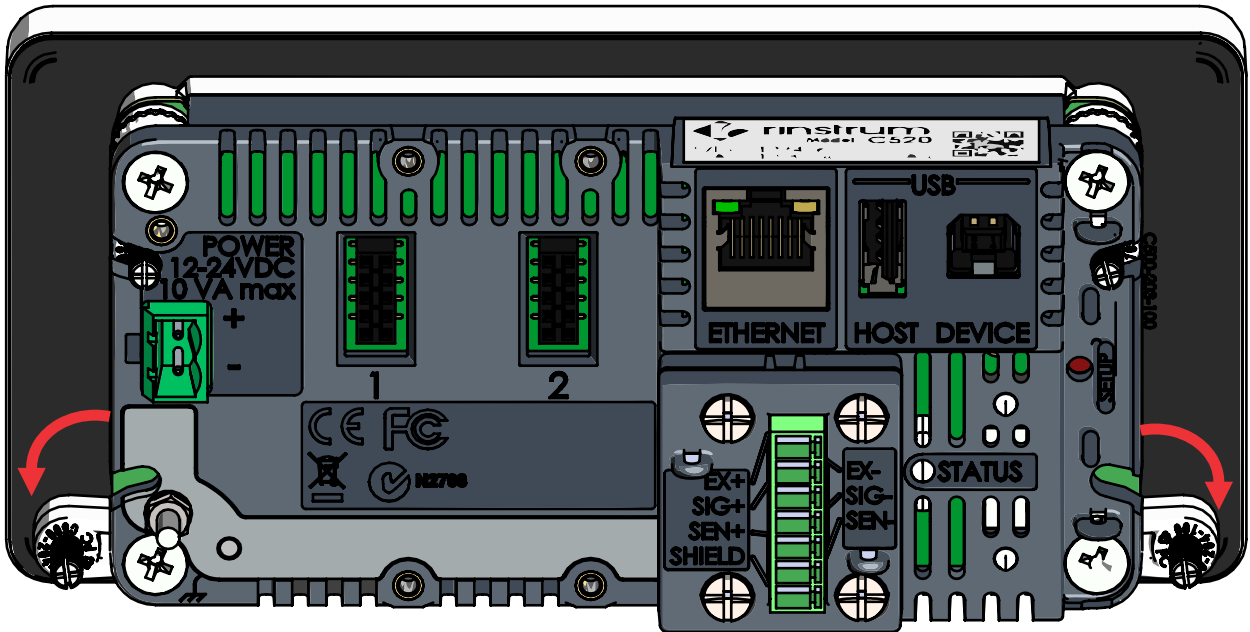


Deskstands can be secured to a bench or shelf.
Drill pilot holes 146.5mm apart and secure with No6 screws provided.

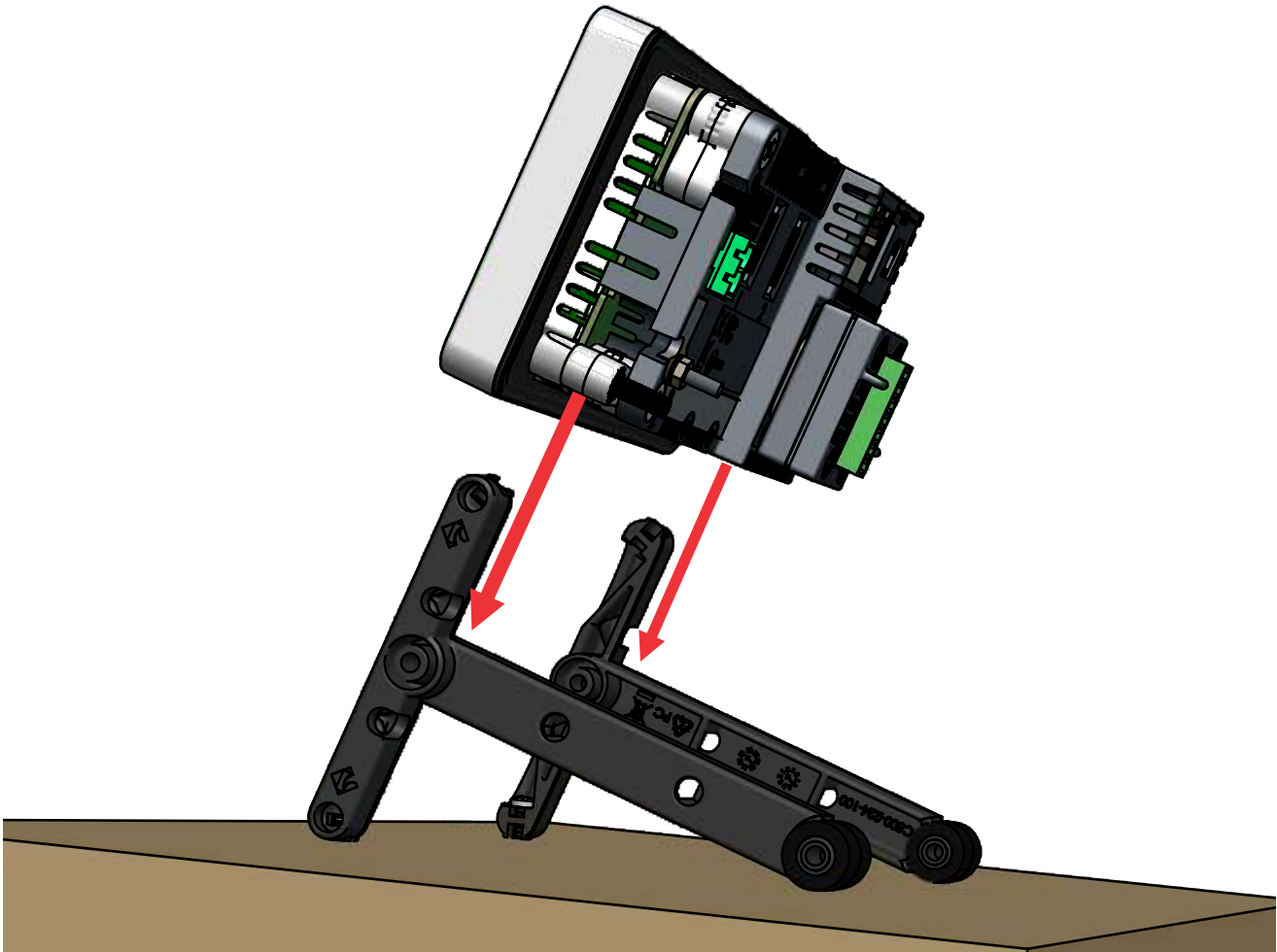


Mount Bracket

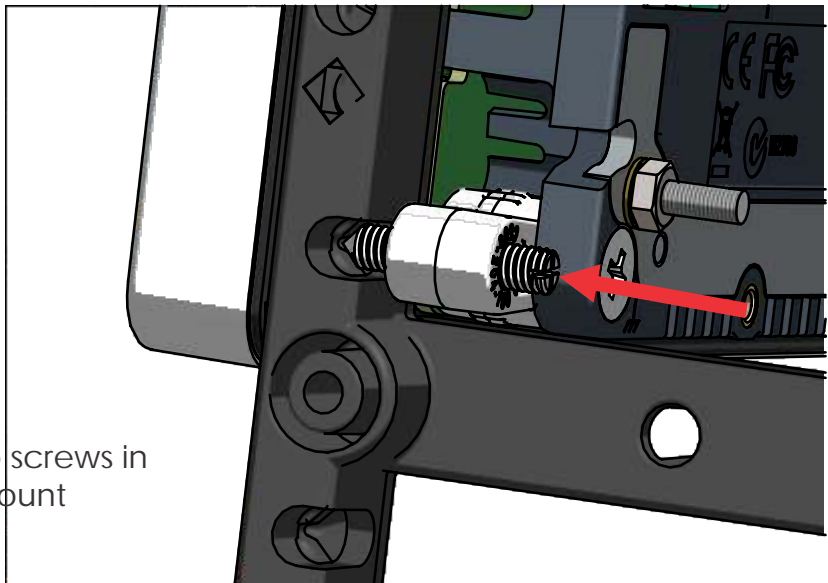
Clamp Screw



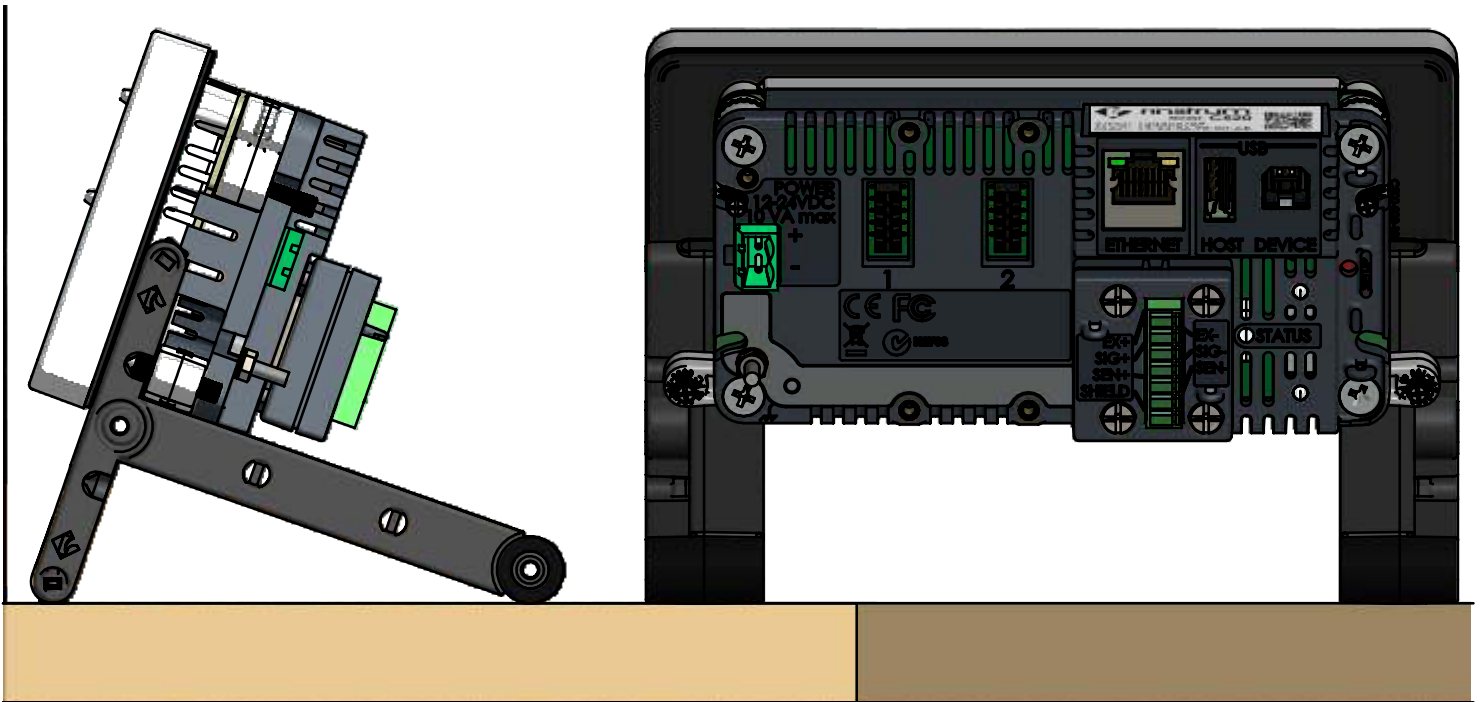
Loosen the clamp screws in each of the bottom mount brackets, then swing the brackets out horizontally.



Slide the indicator onto the desk mount brackets between the mount bracket and the front flange seal.



Screw the two bottom clamp screws in to lightly seat into the desk mount bracket.

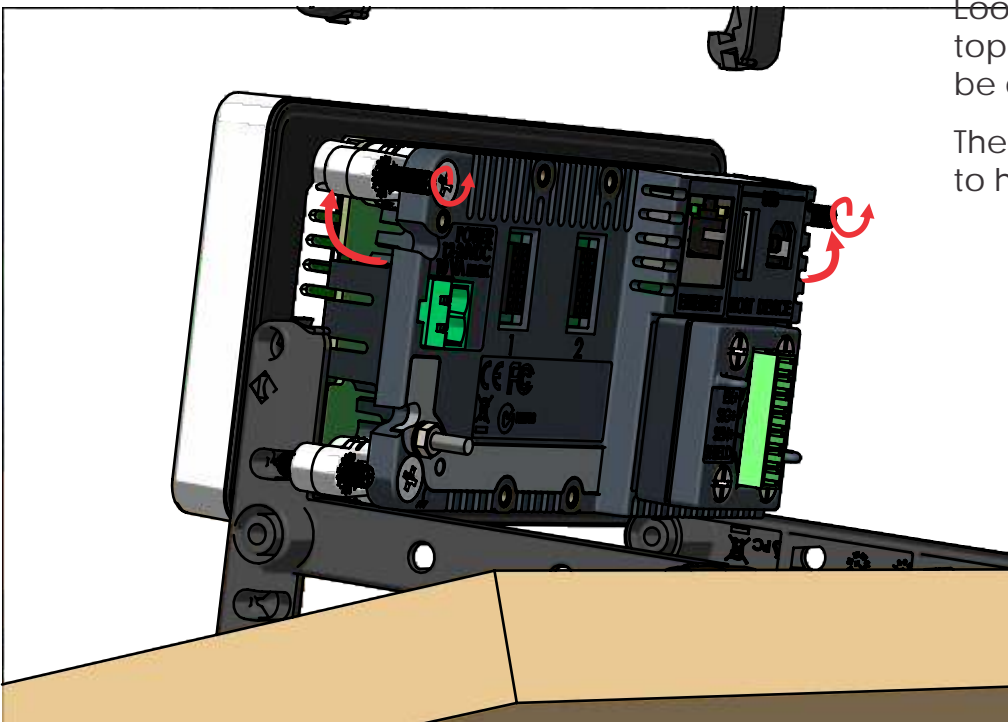


Once the C520 indicator has a pair of deskmount brackets attached, it can be stacked and ganged up to make a panel of indicators.

To Stack indicators:

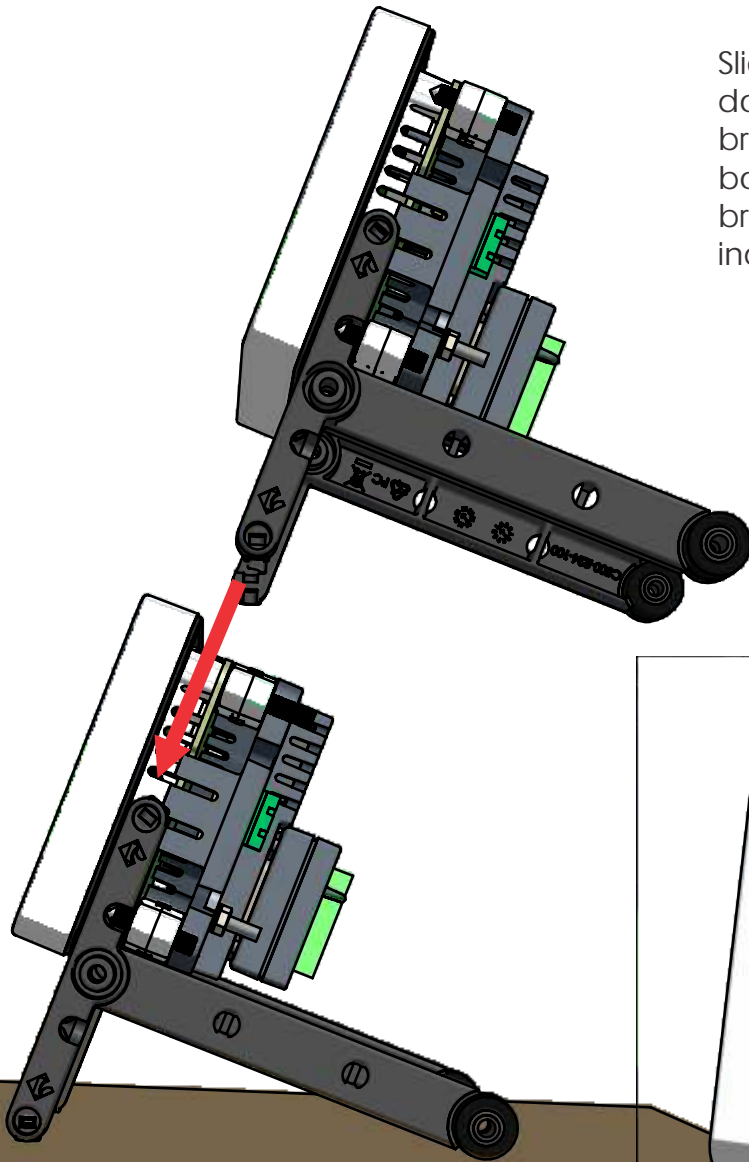
Loosen the clamp screws in the top brackets of the indicator to be on the bottom of the stack.

Then swing the top brackets out to horizontal.

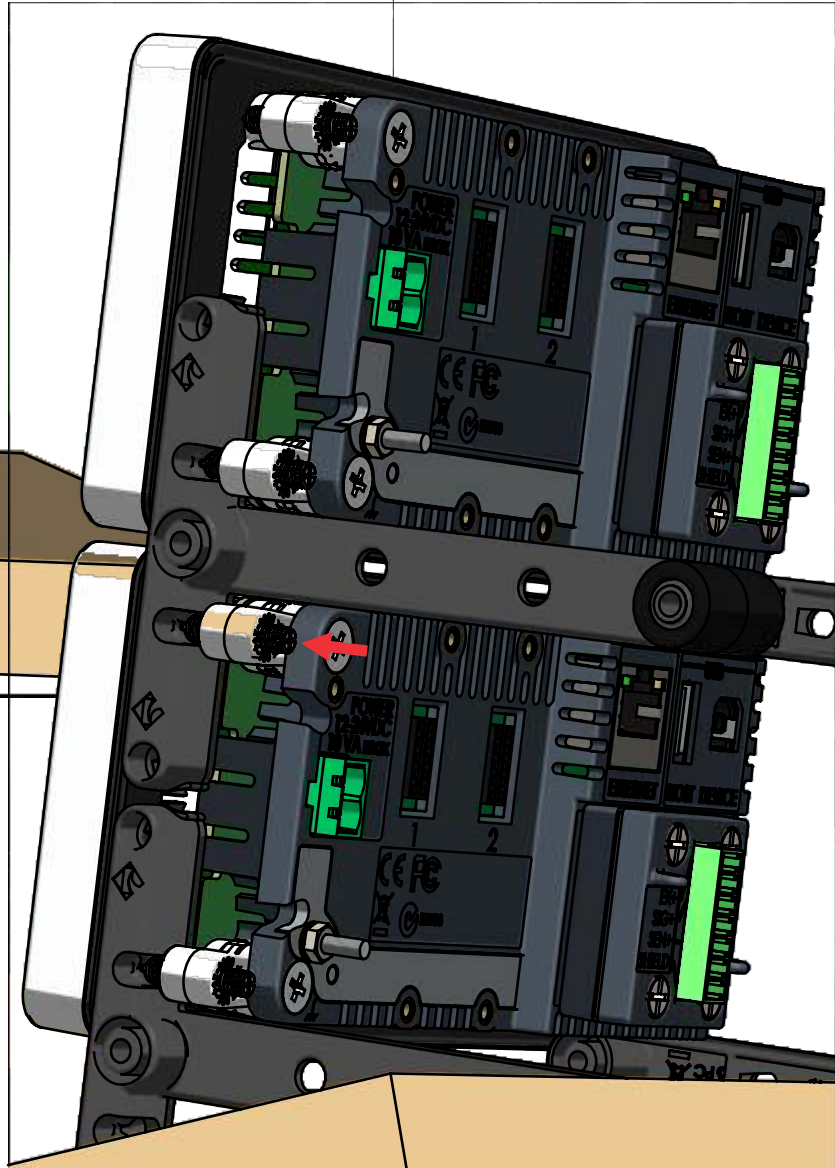




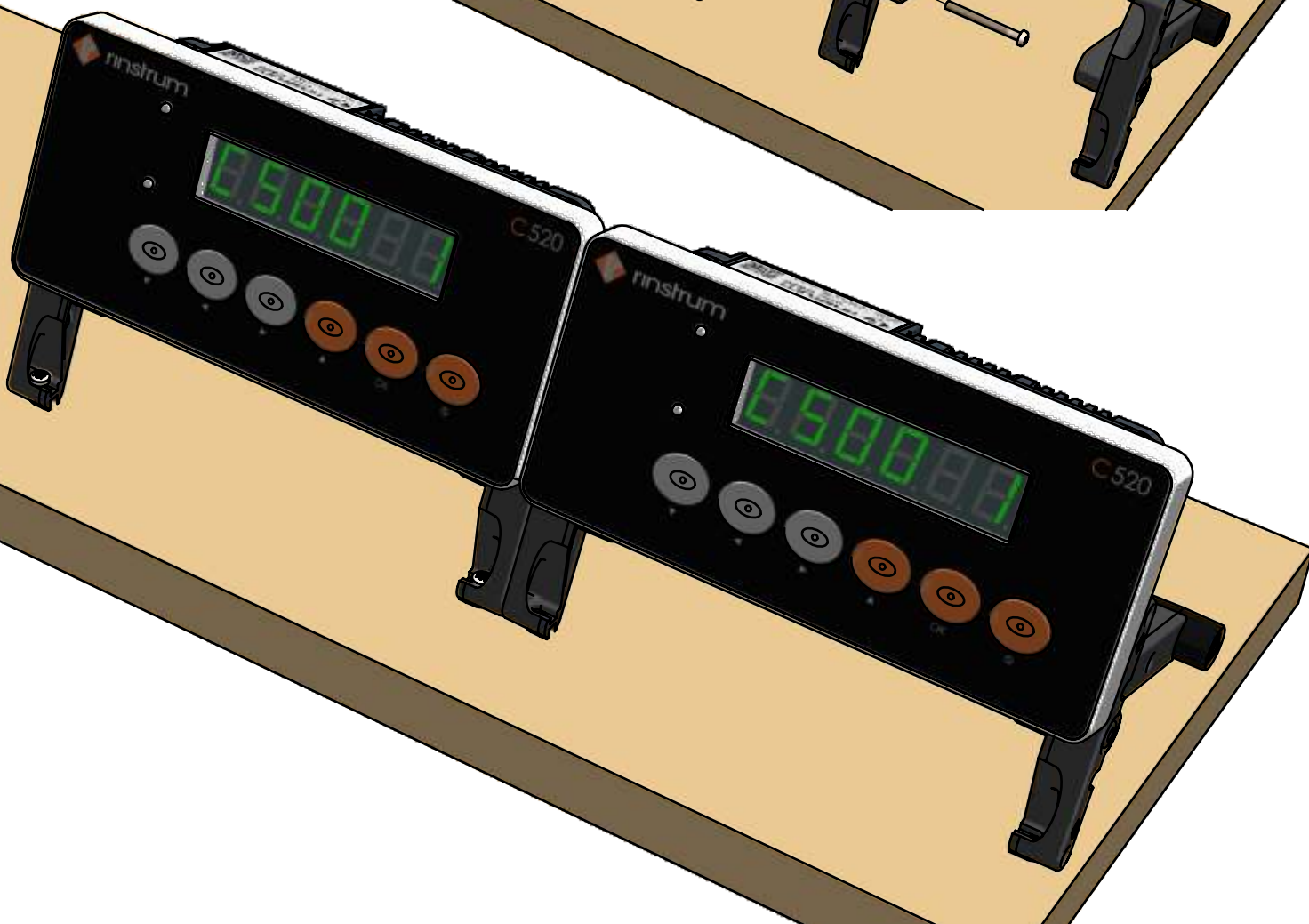
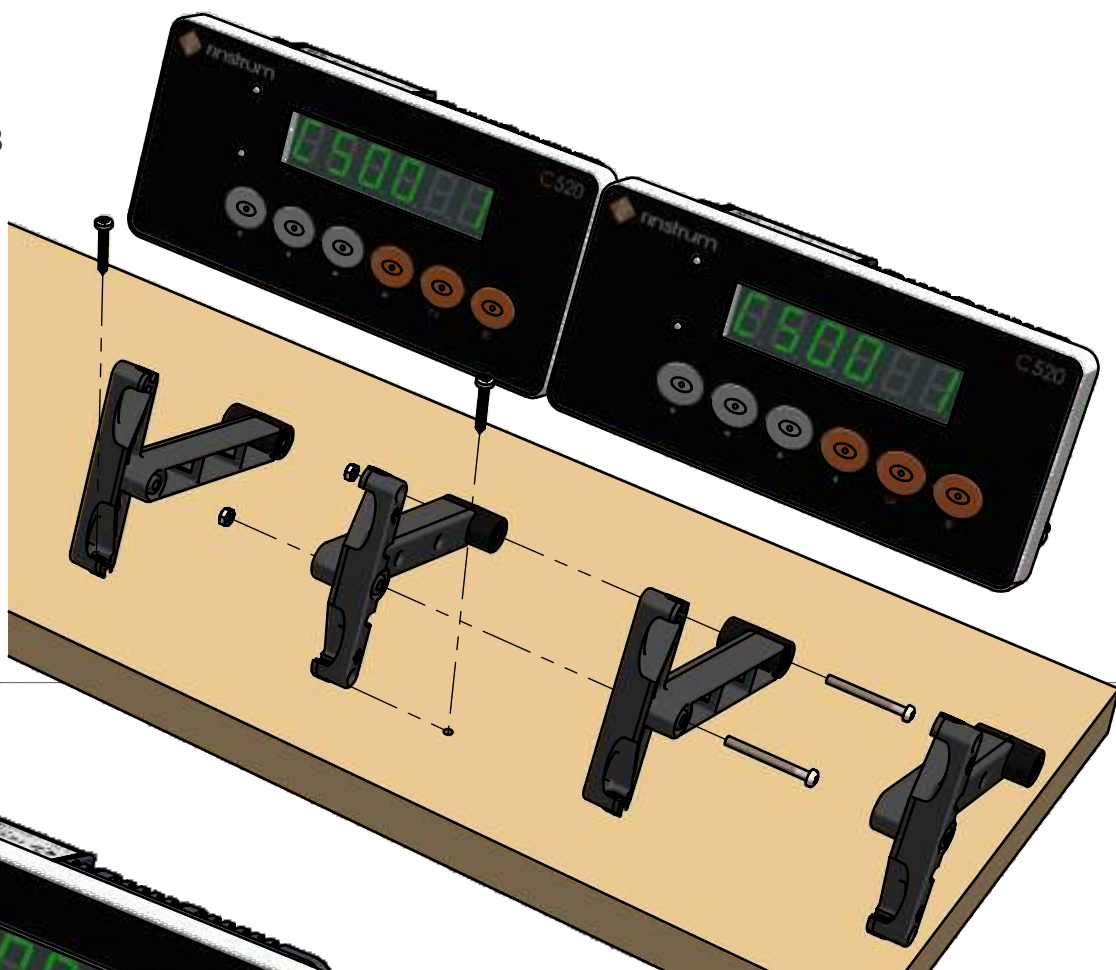
Slide the top instrument's desktop brackets down between the swung out top mount brackets of the base indicator until the bottom of the top indicator's desktop brackets rest on the top of the bottom indicator.



lightly tighten the top clamp screws of the bottom instrument against the top instrument's desk stands



The C520 units can also be ganged side by side. Included with the indicator are a pair of M3 x 50mm screws with nuts. These can be used to secure adjacent desk stands together as shown.





C520 indicators on their desk stands can be ganged and stacked in combination to make a panel of indicators.

When stacking units they should be secured to the surface they are sitting on.